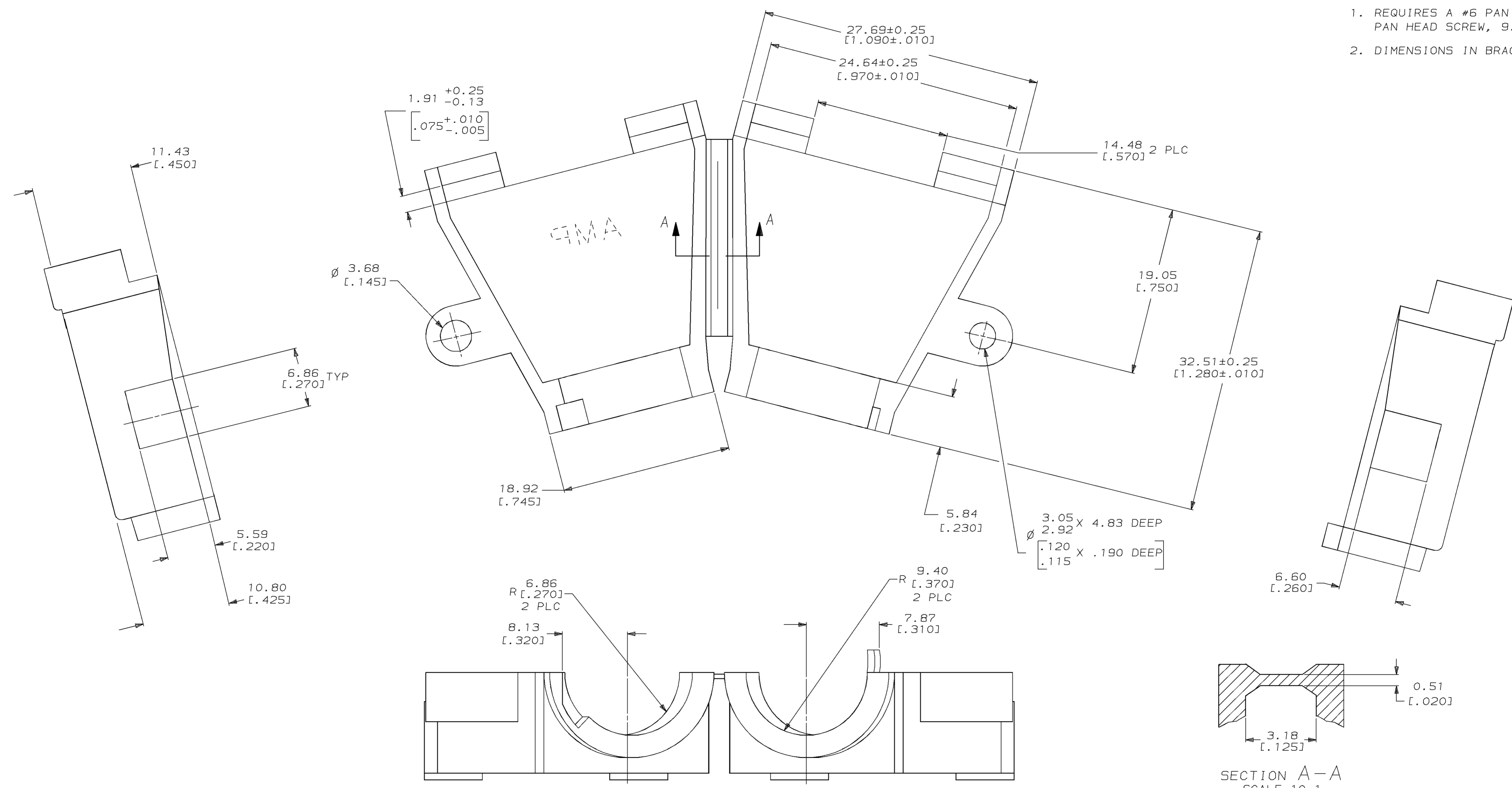
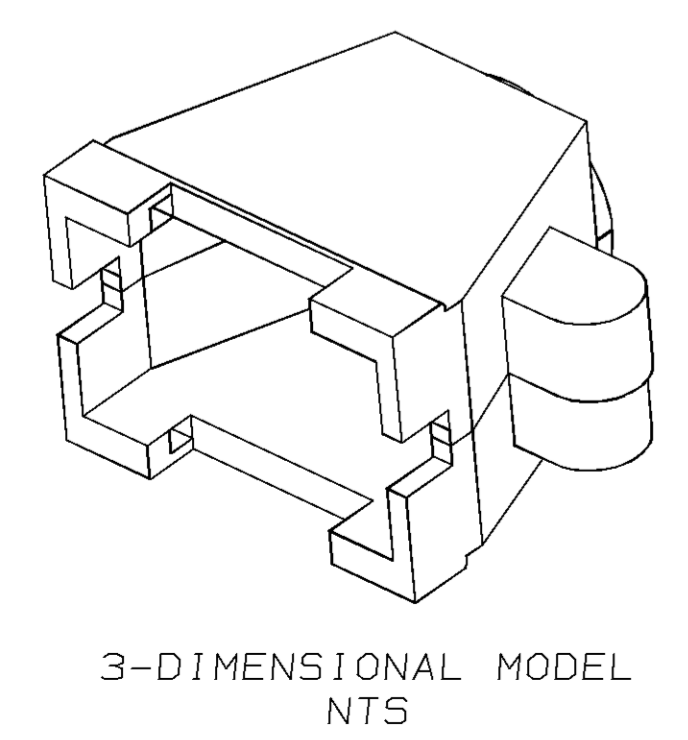


LOC		DIST		P		F		ZONE		LTR		REVISIONS		DATE	APPD
CM	52												REV & REDWN PER ECN CM-11	2-10-95	KS



1. REQUIRES A #6 PAN HEAD TYPE "B" SELF TAPPING PAN HEAD SCREW, 9.53 [.375] LONG.
2. DIMENSIONS IN BRACKETS ARE IN INCHES.



SECTION A-A  
SCALE 10:1

BLACK	1-480634-9
BRICK RED	480634-1
COLOR	PART NO

DO NOT SCALE PRINT. UNLESS SPECIFIED DIMENSIONS IN mm [INCHES] TOLERANCES ON: 2 PLC DEC ± 0.13 [.005] 3 PLC DEC ± - ANGLES ± -	DR 2-10-95 K. SALMON	NAME <b>AMP</b> AMP Incorporated Harrisburg, PA 17105-3608
MATERIAL NYLON	CHK 2-10-95 R. SWING	
FINISH COLOR, SEE TABLE	APPD 2-10-95 W. LONG	STRAIN RELIEF, HINGED, 20 POSITION
	APPD 2-10-95 W. LONG	SIZE D 00779
	PRODUCT SPEC -	CAGE CODE C=480634
	APPLICATION SPEC -	DRAWING NO C=480634
	WEIGHT -	SCALE 4:1
		SHEET 1 OF 1



THIS DRAWING IS A CONTROLLED DOCUMENT FOR AMP INCORPORATED. IT IS SUBJECT TO CHANGE AND THE CONTROLLING ENGINEERING ORGANIZATION SHOULD BE CONTACTED FOR THE LATEST REVISION.